

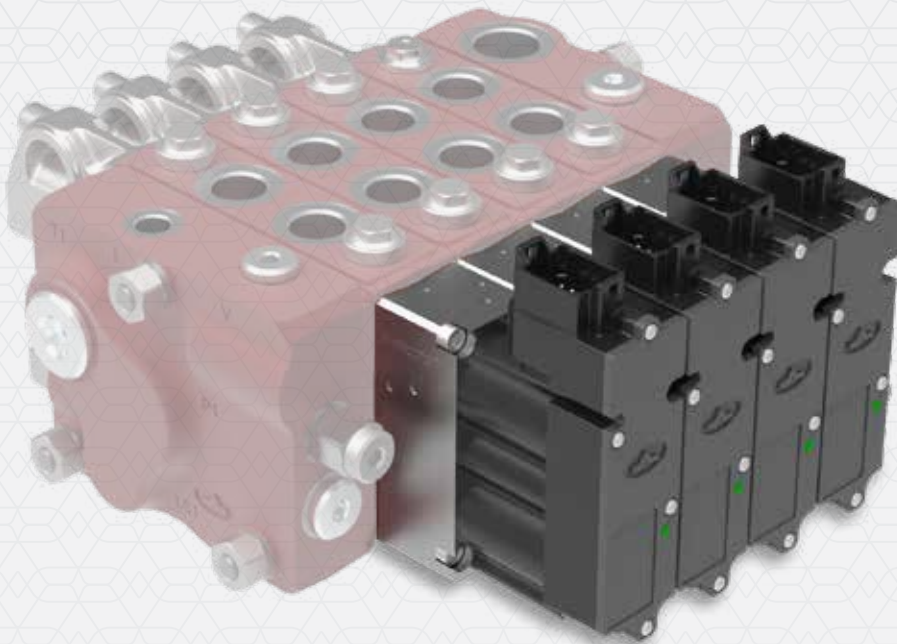


walvoil
MOTION BY PEOPLE

NEW

NG5

Electro-hydraulic CANbus
Control Module



**NG5
ELECTRO-HYDRAULIC
CANbus CONTROL MODULE**

- Accurate spool position control
- Analog or CANbus control
- IP67/IPx9K protection grade





Low Hysteresis

Thanks to integrated electronics and contactless position sensor, the module NG5 can ensure the precise positioning of the valve Spool, with low hysteresis, high dynamic and reactivity.

Functional Safety

Functional Safety has been integrated since the beginning in the design and validation process. The electronic board is designed with Hardware Category 2 and is capable to reach safety level PLd / SIL 2.

CANbus or Analog

The module can be controlled using SAE J1939 or CANopen protocol directly from Joystick or through a Control Unit. A redundant analog input command option is available.

Reliability

The electrohydraulic module has been qualified according to OEMs' most rigorous reliability standards.

The Deutsch connector and the potted electronic board allows the IP67/IPx9K protection grade and a strong resistance to all adverse conditions (vibrations, shocks, EMC).

Flexibility

The NG5 module has a high degree of customization thanks to the dedicated WST interface.

It allows you to manage the dynamics of the system, working with custom motion profiles.

WORKING CONDITIONS

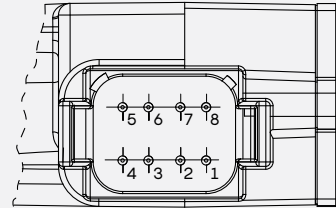
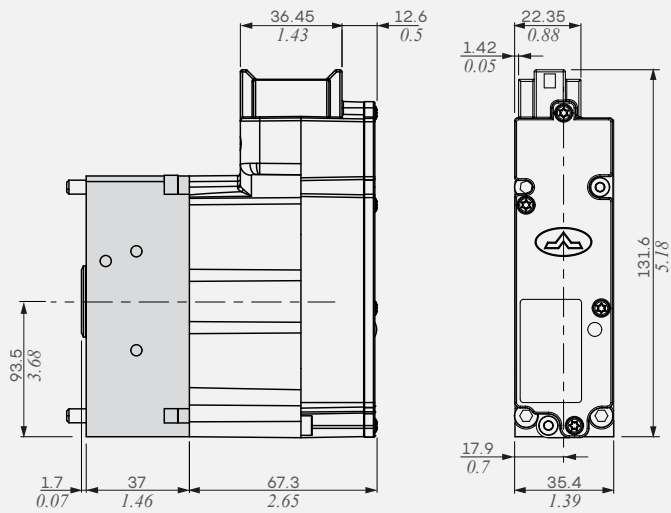
Electrical data	
Voltage supply	from 8 to 32 V
Max. current absorption (power)	1500 mA
no load current absorption (logic)	100 mA
CANbus Output	SAE J1939, CANopen
CANbus Input	SAE J1939, CANopen
Analog redundant Input	0.5 V - 4.5 V
Working temperature	from -40°C to 85°C <i>from -40°F to 185°F</i>
Storage temperature	from -40°C to 105°C <i>from -40°F to 221°F</i>
Weather protection	IP 67/IPx9K
EMC compatibility	according to ISO 14982 / 13766
Connector	DT04-08P A
Optional power Output(*)	6A max

Hydraulic data	
Max inlet pressure	50 bar <i>725 psi</i>
Max back pressure	5 bar <i>72.5 psi</i>
Contamination level	-/18/15-ISO 4406
Fluid	Mineral oil based
Max mechanical stroke	+/- 10 mm <i>+/- 0.39 in</i>
Sensor type	Hall effect
Redundant	Analog redundant Input Hall effect redundant sensor
Absolut accuracy	< 3.5% (+/- 10 mm) < 3.5% (+/- 0.39 in)

Note: Technical specifications measured with mineral oil of 46 mm²/s (46 cSt) viscosity at 40°C - (104°F) temperature.

(*): For more information, please contact the Sales Department

DIMENSIONAL DATA

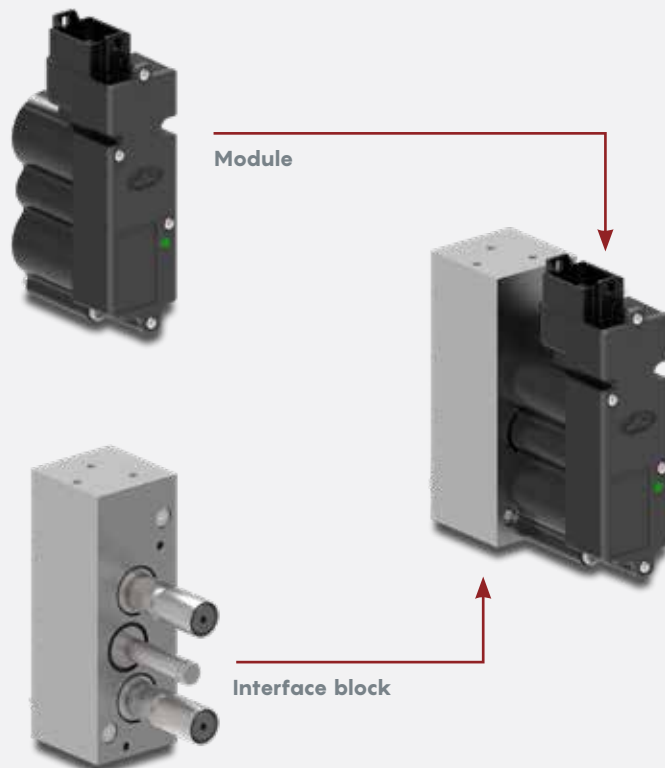


Pinout function	
1	CAN_L
2	GND
3	Analog Input Command
4	Auxiliary Output
5	Analog Input command redundant
6	External enable
7	VBB
8	CAN_H

Valve Interface Block

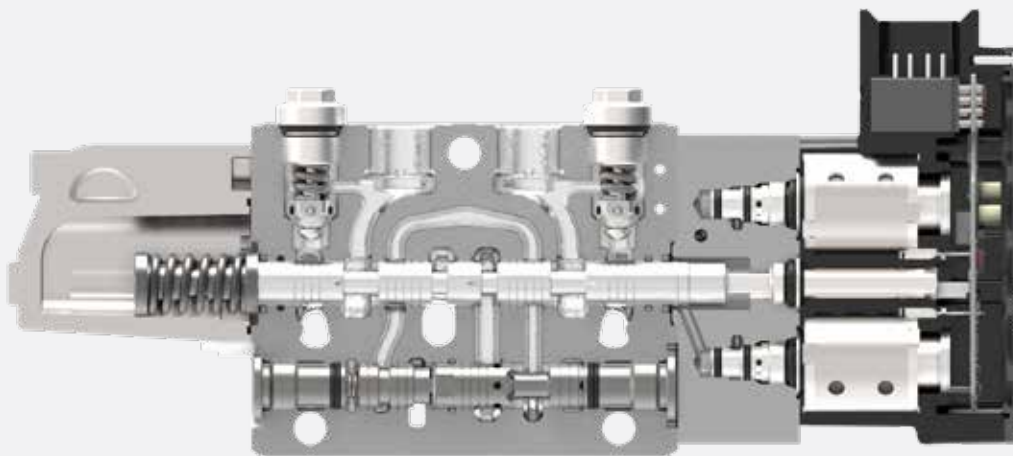
The dimensions of the part are referred only to DPX100. For other sectional directional control valves dimensions are different. Please, contact our Sales Dpt.

Directional valves compatibility	
DPK	DPK120
DPX series	DPX100
	DPX100HF
	DPX160
EX series	EX38
	EX54
	EX72
DPC series	DPC130
	DPC200



SECTION

DPX100 working section with NG5 module



FUNCTIONALITY PRINCIPLE

